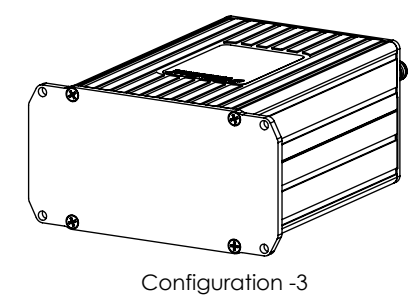
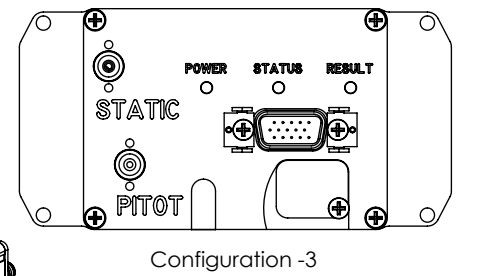
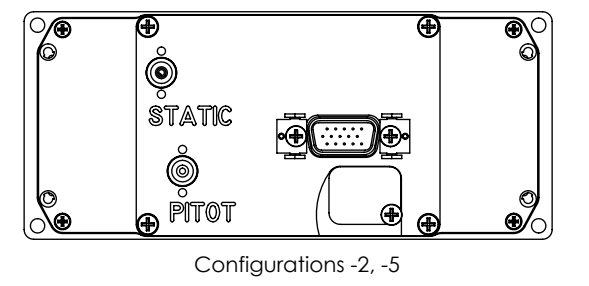
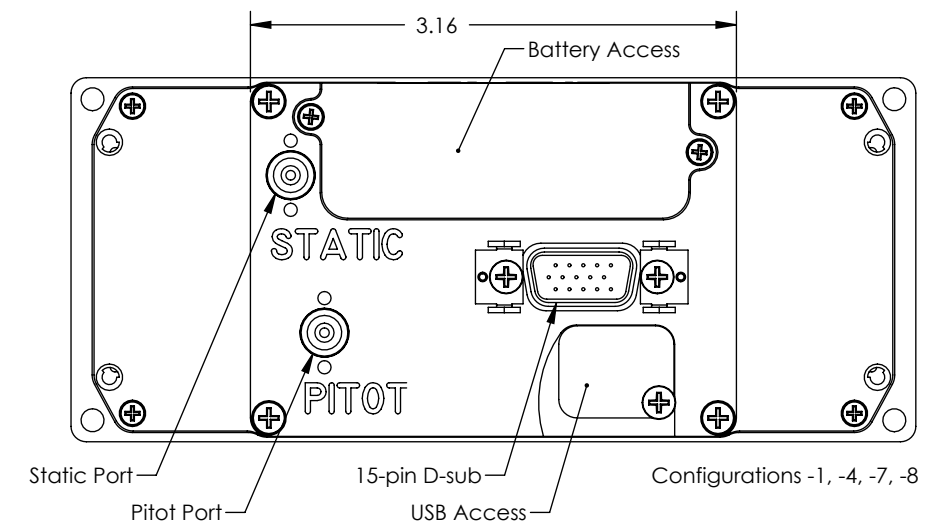
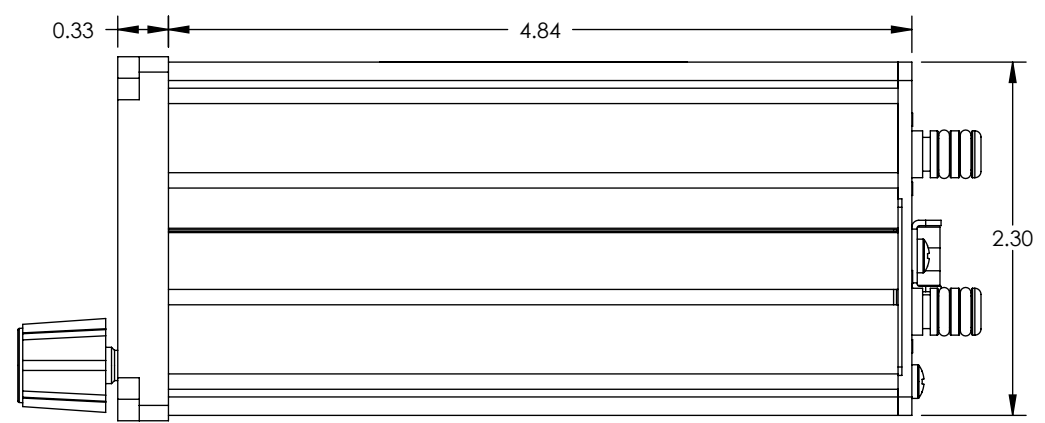
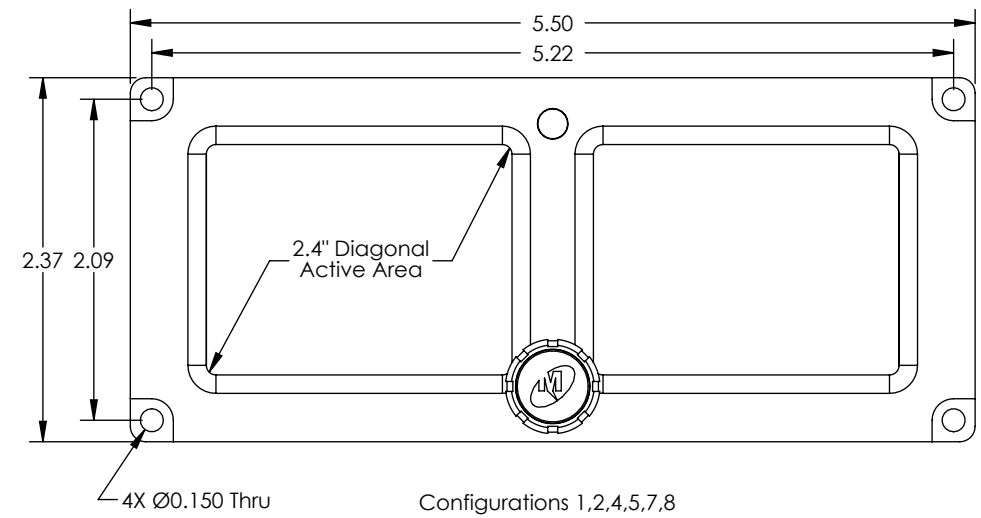


Configuration			
Dash #	Unit Assembly	Bezel	Battery
-1	9017165-1	Black	Type 1
-2	9017165-2	Black	None
-3	9017164-3	None	None
-4	9017165-4	Gray	Type 1
-5	9017165-5	Gray	None
-6	9017165-6	Black	None
-7	9017165-7	Black	Type 2
-8	9017165-8	Gray	Type 2

Revision				
ECO	Rev .	Description	Date	Approved
		See Obsolete Drawings for Revision History		
6388	J	Added Max to unit weight	05/04/15	TKV/RMV
6889	K	Updated Specifications. Added patent and TSO C6e. Removed Mod data. Updated pinout. Added -3 view.	03/30/18	MKN/BAW
6968	L	Added -7 and -8 configurations.	09/07/18	MEK/MKN



SPECIFICATIONS	
Model	MD302 Standby Attitude Module (SAM®)
Features	Panel-Mounted Solid-State Standby Attitude Module Providing Attitude, Altitude, Airspeed, Slip, and Optional Heading with LCD Display and Data Output
Configuration	Installation Options for Panel Tilt, Range Markings, Attitude Appearance, Display Orientation, Altitude/Airspeed Units, Lighting Characterization and Data Output Format
Certifications	FAA TSO-C2d (Type B), C3e, C4c, C6e, C10b, C106, C113a, C179a (See IM for Limitations)
Exclusive Rights	U.S. Patent No. 9,739,611
Qualifications	RTCA / DO-178B, Level A RTCA / DO-254, Level A RTCA / DO-160G (See install manual for categories)
Output	ARINC 429 Information for Attitude, Altitude, Airspeed, and others; combined with ARINC - in data
Updates	Field Updates Available Via Download and Installed Using Standard USB Flash Drive
Display	(2) 2.4" QVGA TFT Active Matrix LCDs
Power Input	10-32VDC; 6 Watts Nominal, 40 Watts Maximum
Backup Power	Integrated Rechargeable and Field-Replaceable Battery Provides 1 Hour Minimum of Backup Power (see config), Type 1: Lithium-ion Type 2: NiMH
Case/Bezel	Aluminum Extrusion Case With Black Anodized or Gray Painted Bezel
Mating Connector	Installation Kit, MCIA p/n 9017646, Includes: 15-pin D-Sub Configuration Module, Pitot / Static Quick Disconnect Fittings, and Hardware
Installation Manual	9017782; 9018233: Configuration -3 Only
Weight	1.6 lbs (0.71 kg)



Connector Pinout			
1	+10-32VDC input	8	ARINC Out A
2	Valid Signal Out	9	ARINC In #2 (A)
3	ARINC Out B	10	Config Clock
4	ARINC In #2 (B)	11	MD32 Power Out
5	Config Power	12	ARINC In #1 (A)
6	Ground	13	ARINC In #1 (B)
7	Lighting Bus Input	14	Config Data
		15	Config Return

UNLESS OTHERWISE SPECIFIED, ALL DIMENSIONS ARE IN INCHES.  
TOLERANCE:  
FRACTIONAL=±1/64  
.XX=±0.015  
.XXX=±0.005  
.XXXX=±0.002  
ANGULAR=±0.5°  
WEIGHT N.T.E. +5%  
BREAK ALL SHARP EDGES  
THREADS PER MIL-S-7742

DRAWN:  
BAW  
09/21/2012  
  
APPROVED:  
MKN  
10/04/2012

This document discloses proprietary information of Mid-Continent Instrument Co., Inc. It may be reproduced or disclosed only with written permission of Mid-Continent Instrument Co., and is not to be used in any way detrimental to the interests of Mid-Continent Instrument Co., Inc.



TITLE:  
**Standby Attitude Module, MD302**  
PART NUMBER:  
**6420302**  
SCALE: 4:5 DO NOT SCALE THIS DRAWING SHEET: 1 of 1

Item	Qty	Part Number	Description
1	1	See Config	Assembly, MD302
2	1	9017790-1	Nameplate, MD302
3	1	6018956	Label, Warranty
4	1	DC-9	Dust Cap, Size 9 D-sub
5	2	VC-312-8	Dust Cap, air ports